

BRONZE TERMINALS

TYPE FNTTC

Straight Bolted
Pipe to Flat

Castings: Electrical Bronze
Hardware: Silicon Bronze
Options: See Page 194

Bronze alloy terminal with hex head clamping bolts for connecting copper pipe to flat. Clamping bolts have hex-stops for one wrench installation. Center-formed pad. Suitable for normal and heavy duty applications. Flat pads have NEMA drilling.

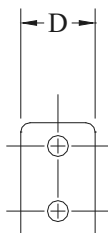


FIG. 1

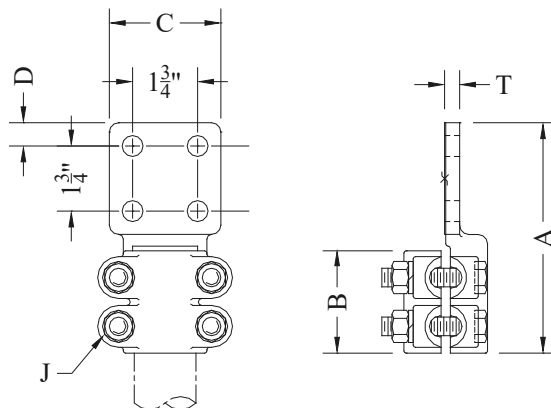


FIG. 2

| CATALOG NUMBER | FIG. NO. | PIPE SIZE (NPS) | DIMENSIONS - INCHES | | | | | | WEIGHT (POUNDS) |
|----------------|----------|-----------------|---------------------|---------|---|-------|-----|------|-----------------|
| | | | A | B | C | D | J | T | |
| FNTTC-21-2B | 1 | 1/2 | 5-1/2 | 2 | 2 | 5/8 | 3/8 | 1/4 | 2.60 |
| FNTTC-21-4A | 2 | | 5-1/2 | 2 | 3 | 5/8 | 3/8 | 5/16 | 2.60 |
| FNTTC-30-2B | 1 | 3/4 | 5-5/8 | 2 | 2 | 5/8 | 3/8 | 5/16 | 1.80 |
| FNTTC-30-4A | 2 | | 6-1/16 | 2-3/8 | 3 | 5/8 | 3/8 | 3/8 | 2.60 |
| FNTTC-39-2B | 1 | 1 | 6 | 2-1/2 | 2 | 5/8 | 3/8 | 3/8 | 2.90 |
| FNTTC-39-4A | 2 | | 6-1/8 | 2-1/2 | 3 | 5/8 | 3/8 | 3/8 | 3.15 |
| FNTTC-39-4B | 2 | | 7-1/8 | 2-1/2 | 4 | 1-1/8 | 3/8 | 3/8 | 3.30 |
| FNTTC-49-2B | 1 | 1-1/4 | 6-3/16 | 2-3/4 | 2 | 5/8 | 1/2 | 3/8 | 4.50 |
| FNTTC-49-4A | 2 | | 6-3/16 | 2-3/4 | 3 | 5/8 | 1/2 | 3/8 | 4.50 |
| FNTTC-49-4B | 2 | | 7-7/16 | 3 | 4 | 1-1/8 | 1/2 | 1/2 | 7.45 |
| FNTTC-53-2B | 1 | 1-1/2 | 6-7/16 | 2-13/16 | 2 | 5/8 | 1/2 | 7/16 | 5.10 |
| FNTTC-53-4A | 2 | | 6-5/8 | 2-13/16 | 3 | 5/8 | 1/2 | 3/8 | 5.10 |
| FNTTC-53-4B | 2 | | 7-5/8 | 2-13/16 | 4 | 1-1/8 | 1/2 | 3/8 | 5.35 |
| FNTTC-58-2B | 1 | 2 | 7-5/16 | 3-1/2 | 2 | 5/8 | 1/2 | 1/2 | 9.00 |
| FNTTC-58-4A | 2 | | 6-3/4 | 3 | 3 | 5/8 | 1/2 | 7/16 | 6.70 |
| FNTTC-58-4B | 2 | | 8-5/16 | 3-1/2 | 4 | 1-1/8 | 1/2 | 1/2 | 9.00 |
| FNTTC-60-2B | 1 | 2-1/2 | 6-5/8 | 3 | 2 | 5/8 | 1/2 | 9/16 | 6.80 |
| FNTTC-60-4A | 2 | | 6-5/8 | 3 | 3 | 5/8 | 1/2 | 9/16 | 6.80 |
| FNTTC-60-4B | 2 | | 8 | 3-1/2 | 4 | 1-1/8 | 1/2 | 1/2 | 9.40 |
| FNTTC-62-2B | 1 | 3 | 7-1/2 | 4 | 2 | 5/8 | 5/8 | 5/8 | 15.50 |
| FNTTC-62-4A | 2 | | 8 | 4 | 3 | 5/8 | 5/8 | 5/8 | 15.50 |
| FNTTC-62-4B | 2 | | 8-1/2 | 4 | 4 | 1-1/8 | 5/8 | 5/8 | 15.50 |
| FNTTC-63-4A | 2 | 3-1/2 | 7-3/16 | 3-1/2 | 3 | 5/8 | 5/8 | 3/4 | 15.40 |
| FNTTC-63-4B | 2 | | 8-1/16 | 3-1/2 | 4 | 1-1/8 | 5/8 | 3/4 | 15.40 |
| FNTTC-64-4A | 2 | 4 | 8-5/8 | 4-1/2 | 3 | 5/8 | 5/8 | 3/4 | 20.65 |
| FNTTC-64-4B | 2 | | 9-5/8 | 4-1/2 | 4 | 1-1/8 | 5/8 | 3/4 | 20.65 |
| FNTTC-67-4B | 2 | 5 | 10-1/2 | 5 | 4 | 1-1/8 | 5/8 | 1 | 20.60 |

SEFCOR