

# BRONZE TERMINALS

## TYPE FNCT90

Bolted 90°  
Cable to Flat

Bronze alloy terminal with hex-head clamping bolts for connecting copper cable to flat at a 90° angle. Clamping bolts have hex-stops for one-wrench installation. Flat pads have NEMA drilling.

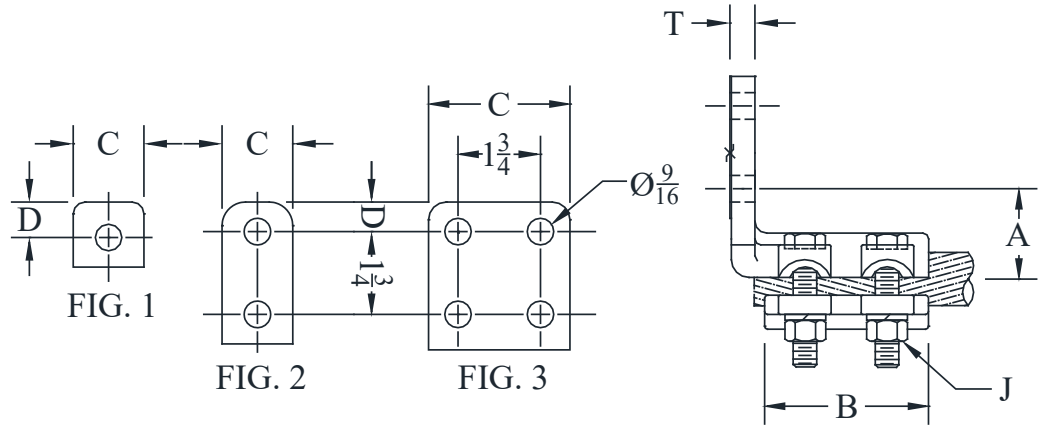
All sizes are furnished with reversible cable caps.

Also available with 45° angle flat pad EXAMPLE: FNCT45-20-2B

Castings: Electrical Bronze

Hardware: Silicon Bronze

Options: See Page 193



CATALOG NUMBER	FIG. NO.	CONDUCTOR RANGE	DIMENSIONS - INCHES						WEIGHT (POUNDS)
			A	B	C	D	J	T	
FNCT90-12-1A	1	#6 STR - 250 MCM	1-3/8	2-3/4	1-1/2	3/4	3/8	1/4	1.85
FNCT90-12-2A	2		1-3/8	2-3/4	1-1/2	5/8	3/8	1/4	1.85
FNCT90-12 2B	2		1-3/8	2-3/4	2	5/8	3/8	1/4	1.85
FNCT90-12H-2B	2		1-3/8	2-3/4	2	5/8	1/2	1/4	2.05
FNCT90-12-4A	3		1-3/8	2-3/4	3	5/8	3/8	1/4	2.10
FNCT90-12H-4A	3		1-3/8	2-3/4	3	5/8	1/2	5/16	3.10
FNCT90-20-1A	1	1/0 SOL - 500 MCM	1-1/2	3-3/8	1-1/2	1	3/8	3/8	3.20
FNCT90-20-2B	2		1-1/2	3-3/8	2	5/8	3/8	3/8	3.20
FNCT90-20H-2B	2		1-7/16	2-3/4	2	5/8	1/2	5/16	3.15
FNCT90-20-4A	3		1-3/8	3-3/8	3	5/8	3/8	3/8	3.45
FNCT90-20H-4A	3		1-7/16	2-3/4	3	5/8	1/2	5/16	3.15
FNCT90-20-4B	3		1-1/2	3-3/8	4	1-1/8	3/8	3/8	3.45
FNCT90-20H-4B	3	1-7/16	2-3/4	4	1-1/8	3/8	5/16	3.75	
FNCT90-34-2B	2	4/0 SOL - 1000 MCM	1-7/8	3-1/2	2	5/8	1/2	1/2	5.35
FNCT90-34-4A	3		1-7/8	3-1/2	3	5/8	1/2	1/2	5.35
FNCT90-34-4B	3		2	4	4	1-1/8	1/2	7/16	5.35
FNCT90-48-2B	2	1000 - 2000 MCM	2-7/8	5	2	5/8	1/2	5/8	7.95
FNCT90-48-4A	3		2-7/8	5	3	5/8	1/2	5/8	8.55
FNCT90-48-4B	3		2-7/8	5	4	1-1/8	1/2	5/8	9.50