

ALUMINUM BUS SUPPORTS

TYPE AXCTO

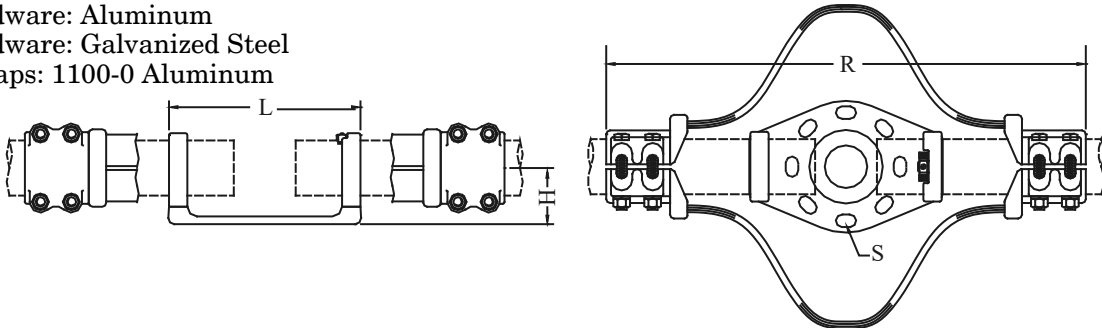
Bolted Expansion
Pipe to Insulator

Aluminum alloy, horizontal bolted, expansion bus support for aluminum pipe.

Hardware supplied for CAP mounting. For PIN mounting, add suffix (P) to catalog number, Example AXCTO-63-5P.

Also available welded in lieu of bolted. See WXCTO Page 16.

Castings: 356-T6 Aluminum
Clamping Hardware: Aluminum
Mounting Hardware: Galvanized Steel
Laminated Straps: 1100-0 Aluminum



CATALOG NUMBER	PIPE SIZE (NPS)	B.C.	DIMENSIONS-INCHES				WEIGHT (POUNDS)
			H	L	R	S	
AXCTO-30-3	3/4	3	2	7-1/4	16-3/4	9/16 x 13/16	4.80
AXCTO-30-5		5	2-1/4	9-1/4	19	11/16 x 1-1/8	5.25
AXCTO-39-3	1	3	2	5-3/4	16-3/4	9/16 x 13/16	5.45
AXCTO-39-5		5	2	8	19	11/16 x 1-1/8	6.00
AXCTO-49-3	1-1/4	3	2-1/4	7-1/8	21-1/4	9/16 x 13/16	8.70
AXCTO-49-5		5	2-1/4	9-1/2	23-1/4	11/16 x 1-1/8	9.50
AXCTO-53-3	1-1/2	3	2-1/2	7-1/4	21-1/4	9/16 x 13/16	9.65
AXCTO-53-5		5	2-1/2	9-1/4	23	11/16 x 1	10.75
AXCTO-58-3	2	3	2-3/4	7-1/4	22-1/4	9/16 x 13/16	12.60
AXCTO-58-5		5	2-3/4	9-1/4	23-3/4	11/16 x 1	13.30
AXCTO-60-3	2-1/2	3	3-1/8	7-1/4	22-1/4	9/16 x 13/16	16.25
AXCTO-60-5		5	3-1/8	9-1/4	23-3/4	11/16 x 1	17.35
AXCTO-62-3	3	3	3-5/8	7-1/8	24	9/16 x 13/16	19.75
AXCTO-62-5		5	3-5/8	9-1/8	25-3/4	11/16 x 1	21.70
AXCTO-62-7		7	3-5/8	12-3/8	31	13/16 x 1-5/16	27.70
AXCTO-63-3	3-1/2	3	4	7-1/4	24-3/4	9/16 x 13/16	24.95
AXCTO-63-5		5	4	9-1/4	26-3/4	11/16 x 1	26.40
AXCTO-63-7		7	4	11	30	13/16 x 1-5/16	49.15
AXCTO-64-3	4	3	4-1/2	7-1/8	25-3/4	9/16 x 13/16	27.35
AXCTO-64-5		5	4-1/2	11-3/4	30-1/4	11/16 x 1	33.80
AXCTO-64-7		7	4-1/2	12-1/2	31	13/16 x 1-5/16	34.55
AXCTO-67-5	5	5	5	13-3/4	38	11/16 x 1-1/16	60.45
AXCTO-67-7		7	5	13-1/2	38-3/4	13/16 x 1-5/16	63.70
AXCTO-69-5	6	5	5-1/2	14	38-1/4	11/16 x 1-1/16	84.00
AXCTO-69-7		7	5-1/2	12-3/4	37-1/2	13/16 x 1-5/16	86.95