

ALUMINUM MISCELLANEOUS

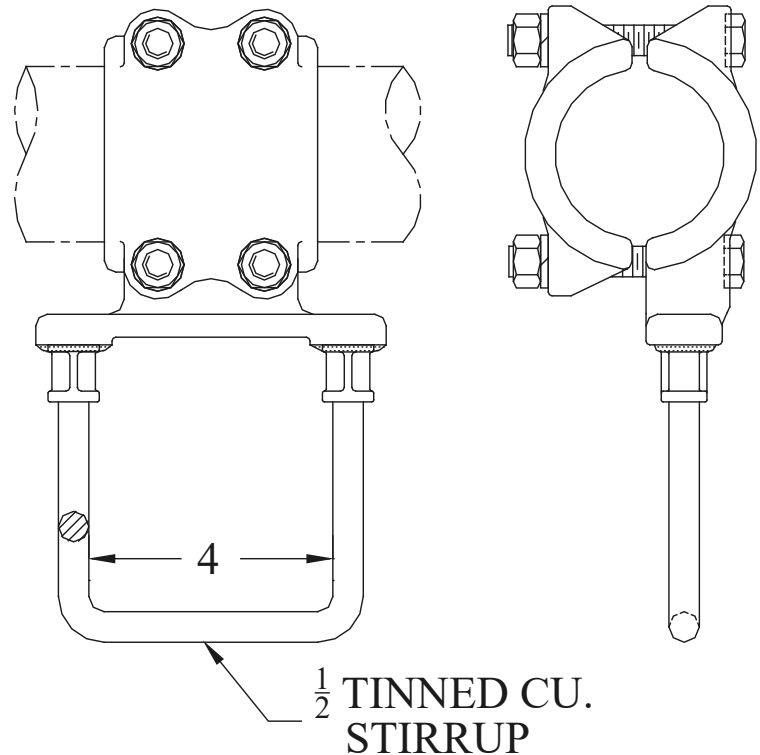
TYPE AHLS

Straight Bolted
Pipe Main to Stirrup

Castings: 356-T6 Aluminum
Hardware: Aluminum Alloy
Stirrup: Tinned Copper

Aluminum stirrup clamp for ground connections to aluminum pipe.
Contact sealant is recommended.

| CATALOG NUMBER | CONDUCTOR SIZE NPS |
|----------------|--------------------|
| AHLS-39 | 1 |
| AHLS-53 | 1-1/2 |
| AHLS-58 | 2 |
| AHLS-60 | 2-1/2 |
| AHLS-62 | 3 |
| AHLS-63 | 3-1/2 |
| AHLS-64 | 4 |
| AHLS-67 | 5 |



TYPE AHLSC

Line Stirrup
Cable Main to Stirrup

Castings: 356-T6 Aluminum
Hardware: Aluminum Alloy
Stirrup: Tinned Copper

Aluminum stirrup clamp for ground connections to aluminum cable.
Contact sealant is recommended.
Contact factory for further information.

| CATALOG NUMBER | CONDUCTOR RANGE | |
|----------------|-----------------|-----------------|
| | AAC | ACSR |
| AHLSC-20 | 4/0 - 500 MCM | 4/0 - 477 MCM |
| AHLSC-24 | 350 - 650 MCM | 336 - 556 MCM |
| AHLSC-34 | 550 - 1033 MCM | 477 - 954 MCM |
| AHLSC-39 | 900 - 1300 MCM | 715 - 1113 MCM |
| AHLSC-46 | 1250 - 1800 MCM | 1113 - 1590 MCM |
| AHLSC-56 | 2000 - 3500 MCM | 2034 - 3064 MCM |

