

ALUMINUM BUS SUPPORTS

TYPE AVTI

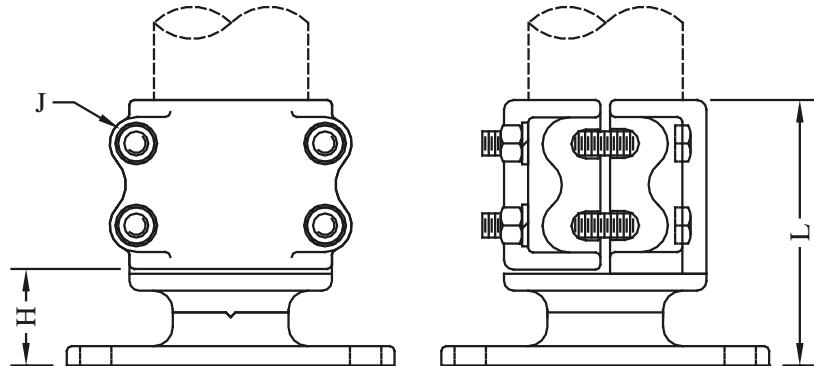
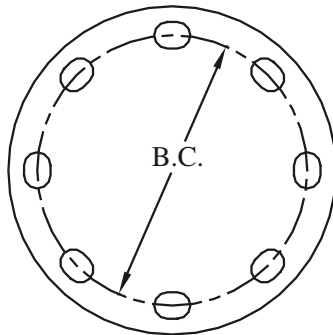
Vertical Bolted
Pipe to Insulator

Castings: 356-T6 Aluminum
Clamping Hardware: Aluminum Alloy
Mounting Hardware: Galvanized Steel

Aluminum alloy bus support for vertical dead ending aluminum pipe. Clamping bolts have hex-stops for one-wrench installation.

Hardware supplied for CAP mounting. For PIN mounting, add suffix (P) to catalog number.

EXAMPLE: AVTI-58-5P



CATALOG NUMBER	PIPE SIZE (NPS)	B.C.	DIMENSIONS-INCHES			WEIGHT (POUNDS)
			H	L	J	
AVTI-30-3	3/4	3	1-9/16	3-15/16	1/2	2.20
AVTI-30-5		5	1-9/16	3-15/16	1/2	2.70
AVTI-39-3	1	3	2-3/16	6-5/16	1/2	2.70
AVTI-39-5		CONSULT FACTORY FOR DETAILS				
AVTI-49-3	1-1/4	3	1-3/4	4-3/4	1/2	2.90
AVTI-49-5		5	1-3/4	4-3/4	1/2	3.50
AVTI-53-3	1-1/2	3	2-3/8	5-5/8	1/2	3.30
AVTI-53-5		5	7/8	4	1/2	4.10
AVTI-58-3	2	3	2-3/8	5-7/8	1/2	3.80
AVTI-58-5		5	2	5-1/2	1/2	4.35
AVTI-60-3	2-1/2	3	2-1/2	6	1/2	4.30
AVTI-60-5		5	2-3/8	7	1/2	4.10
AVTI-62-3	3	3	2-5/8	6-5/8	1/2	5.40
AVTI-62-5		5	2-3/8	7-7/8	5/8	6.50
AVTI-62-7		7	2-3/8	6-1/2	5/8	9.00
AVTI-63-3	3-1/2	CONSULT FACTORY FOR DETAILS				
AVTI-63-5		5	2-3/8	6-7/8	5/8	9.05
AVTI-63-7		7	2-3/8	6-7/8	5/8	10.65
AVTI-64-3	4	CONSULT FACTORY FOR DETAILS				
AVTI-64-5		5	2-1/4	7-3/4	5/8	8.00
AVTI-64-7		CONSULT FACTORY FOR DETAILS				
AVTI-67-5	5	5	2-1/2	8-1/4	5/8	12.20
AVTI-67-7		7	2-1/2	8-1/4	5/8	13.95
AVTI-69-5	6	5	3-1/8	9-1/8	5/8	17.90
AVTI-69-7		7	3-1/8	9-1/8	5/8	19.65