

EHV STUD CONNECTORS

TYPE ASNF2HV

Bifurcating - Stud to Flat

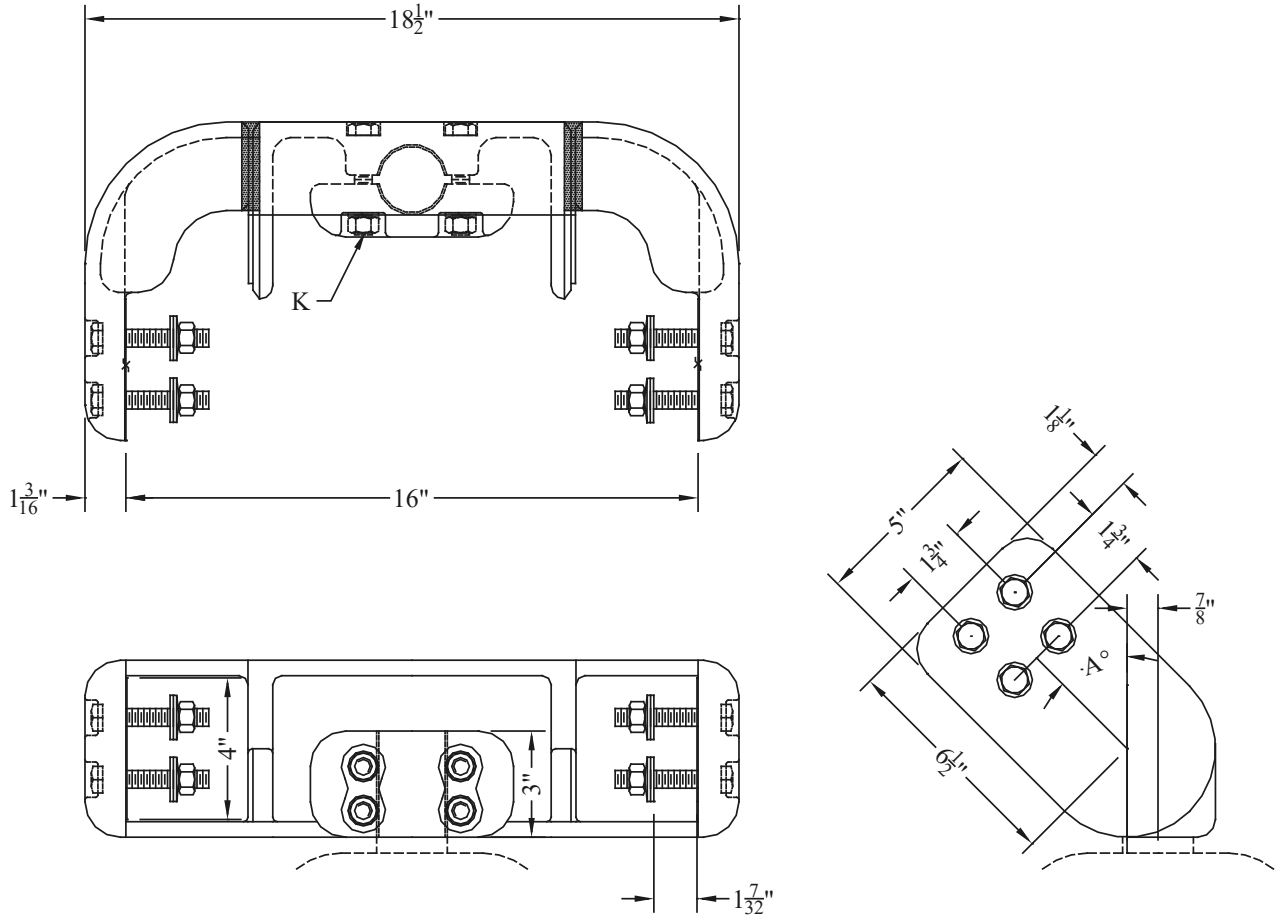
Type ASNF2HV is designed for corona-free service at 500 KV when used with EHV compression terminals to form a bifurcating stud-to-cable connection. Take-off angle A is factory-set at the specified angle. The required angle (0° - 90°) is to be inserted within the parenthesis to complete the catalog number.

Castings: 356-T6 Aluminum

Stud Hardware: Stainless Steel

Pad Hardware: Aluminum with stainless steel

Belleville washers



CATALOG NUMBER	STUD DIA./THD.	DIMENSIONS - INCHES	WEIGHT (POUNDS)
		K	
ASNF2HV-33-A ()	1-1/8 - 12	1/2	14.40
ASNF2HV-36-A ()	1-1/4 - 12	1/2	14.50
ASNF2HV-44-A ()	1-1/2 - 12	1/2	18.00
ASNF2HV-50-A ()	1-3/4 - 12	1/2	18.00
ASNF2HV-54-A ()	2 - 12	1/2	15.50
ASNF2HV-57-A ()	2-1/4 - 12	5/8	16.00
ASNF2HV-59-A ()	2-1/2 - 12	5/8	16.40
ASNF2HV-61-A ()	3 - 12	5/8	18.55
ASNF2HV-62-A ()	3-1/2 - 12	5/8	18.00

SEFCOR