

# EHV STUD CONNECTORS

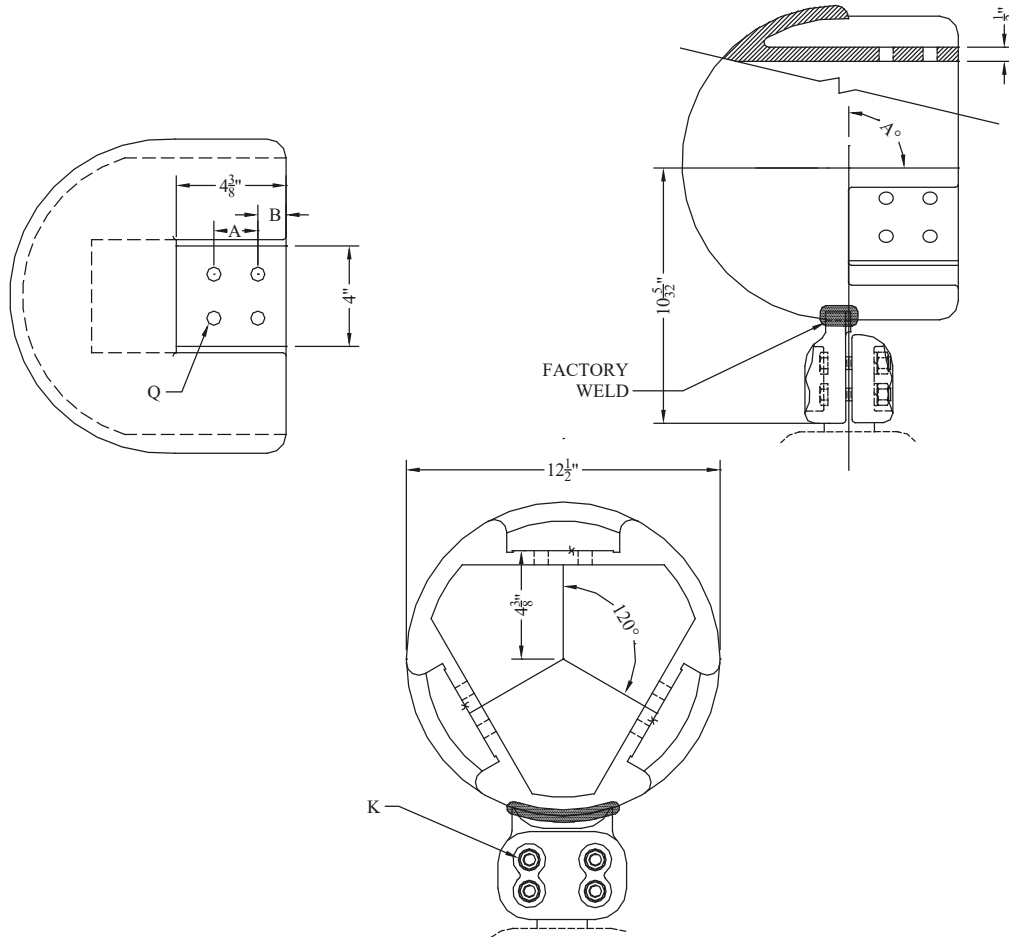
## TYPE ASN3HV

Trifurcating - Stud to Cable

Type ASNEHV is designed for corona-free service at 500 KV when used with EHV compression terminals to form a trifurcating stud-cable connection. Take-off angle A is factory-set to the specified angle (45° - 90°). The value of the required angle is to be inserted within the parenthesis to form the catalog number. Aluminum contact surfaces are factory-coated with a sealant.

Casting: 356-T6 Aluminum

Stud Hardware: Stainless Steel



CATALOG NUMBER	STUD DIA./THD.	DIMENSIONS - INCHES				WEIGHT (POUNDS)
		A	B	K	Q	
ASN3HV-33-A( )	1-1/8 - 12	1-3/4	1-1/8	1/2	9/16	37.50
ASN3HV-36-A( )	1-1/4 - 12	1-3/4	1-1/8	1/2	9/16	37.75
ASN3HV-44-A( )	1-1/2 - 12	1-3/4	1-1/8	1/2	9/16	40.00
ASN3HV-50-A( )	1-3/4 - 12	1-3/4	1-1/8	1/2	9/16	38.25
ASN3HV-54-A( )	2 - 12	1-3/4	1-1/8	1/2	9/16	37.25
ASN3HV-57-A( )	2-1/4 - 12	1-3/4	1-1/8	5/8	9/16	39.00
ASN3HV-59-A( )	2-1/2 - 12	1-3/4	1-1/8	5/8	9/16	39.25
ASN3HV-61-A( )	3 - 12	1-3/4	1-1/8	5/8	9/16	39.70
ASN3HV-62-A( )	3-1/2 - 12	1-3/4	1-1/8	5/8	9/16	39.75