

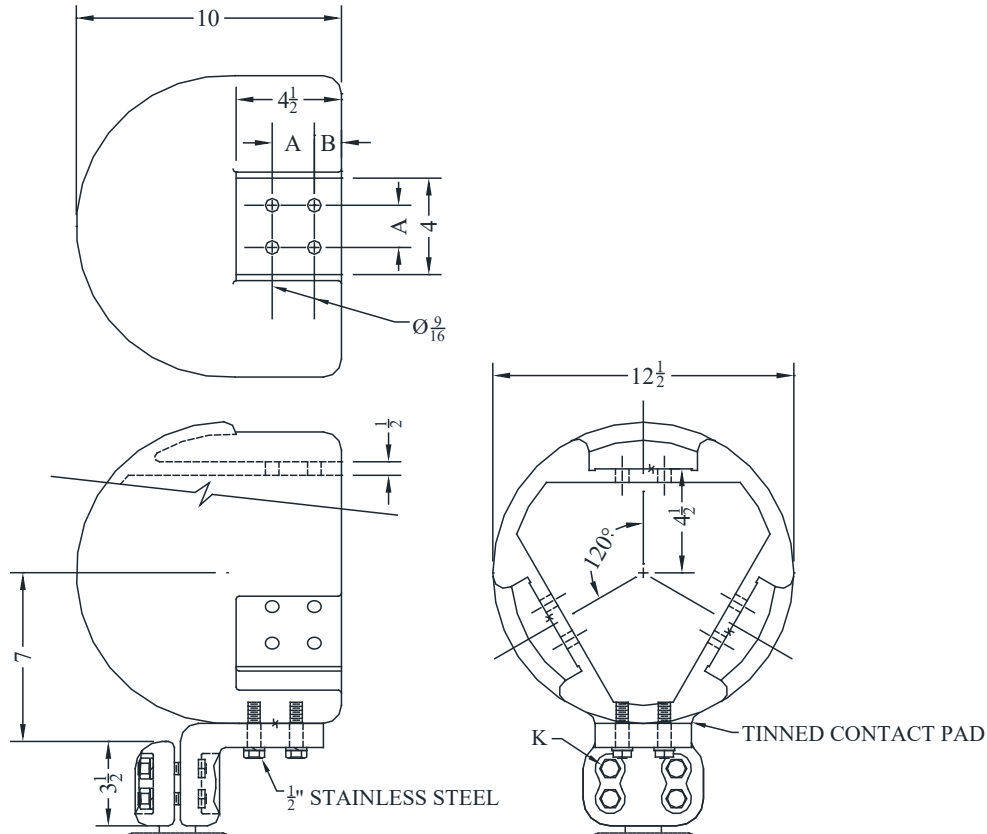
EHV STUD CONNECTORS

TYPE AS3N90

90° Trifurcating
Stud to Cable

Type AS3N90 is designed for corona-free service at 500kV when used with three EHV compression terminals to form a 90° trifurcating stud-to-cable connection. See Compression Connector section for cable sizes available. Stud clamp is all-bronze with tinned pad. Aluminum contact surfaces are factory-coated with a sealant.

Stud Connection: Electrical Bronze
Trifurcating Bell: 356-T6 Aluminum
Stud Hardware: Silicon Bronze
Connection Hardware: Stainless Steel
Options: See page 184



CATALOG NUMBER	STUD DIA./THD.	DIMENSIONS - INCHES			WEIGHT (POUNDS)
		A	B	K	
AS3N90-33	1-1/8 - 12	1-3/4	1-1/8	1/2	37.75
AS3N90-36	1-1/4 - 12	1-3/4	1-1/8	1/2	38.00
AS3N90-44	1-1/2 - 12	1-3/4	1-1/8	1/2	52.15
AS3N90-50	1-3/4 - 12	1-3/4	1-1/8	1/2	38.50
AS3N90-54	2 - 12	1-3/4	1-1/8	1/2	52.15
AS3N90-57	2-1/4 - 12	1-3/4	1-1/8	1/2	39.00
AS3N90-59	2-1/2 - 12	1-3/4	1-1/8	1/2	39.25
AS3N90-61	3 - 12	1-3/4	1-1/8	5/8	39.75
AS3N90-62	3-1/2 - 12	1-3/4	1-1/8	5/8	40.00