

ALUMINUM STUD CONNECTORS

TYPE ASXTR

Expansion - Stud
to Pipe

Pipe clamp: 356-T6 Aluminum

Stud clamp: Electric Bronze

Laminated straps: 1100-0 Aluminum

Pipe clamp hardware: Aluminum Alloy

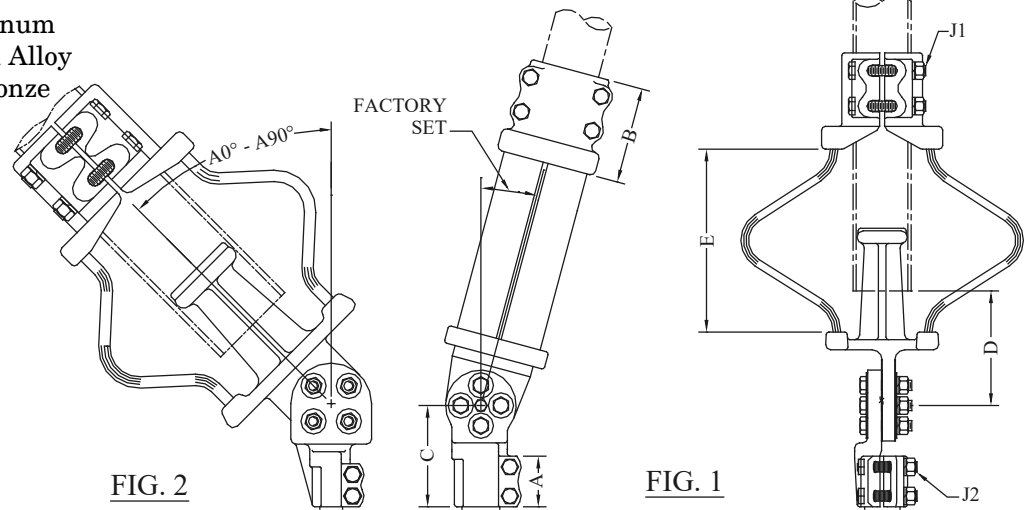
Stud clamp hardware: Silicon Bronze

Pad hardware: Stainless Steel

Options: See page 174

A variable-angle expansion stud connector for copper stud to aluminum pipe. Type ASXTR is available with factory-set take-off angles of 0° - 90° to be specified at time of order. Laminated aluminum straps are welded to castings. When vertical flexing straps are required instead of the standard horizontal flexing straps, insert the suffix (-V) into the catalog number, Example: ASXTR-V-3658-A90. Weights are same as shown in table. Refer to factory for dimensions.

Transition between copper and aluminum is made at the spade connection, which is tin plated and coated with contact sealant.



CATALOG NUMBER	STUD DIA./THD.	PIPE SIZE (NPS)	DIMENSIONS - INCHES							WEIGHT (POUNDS)
			A	B	C	D	E	J1	J2	
ASXTR-1030-A()	1/2 - 13	3/4	1-7/8	3-3/4	3-3/4	4	6	1/2	3/8	7.80
ASXTR-1039-A()		1	1-7/8	4	3-3/4	4-1/4	6	1/2	3/8	8.40
ASXTR-1430-A()	5/8 - 11	3/4	2	3-3/4	3-7/8	4	6	1/2	3/8	9.00
ASXTR-1439-A()		1	2	4	3-7/8	4-1/4	6	1/2	3/8	9.50
ASXTR-1839-A()	3/4 - 16	1	2-1/8	4	4	4-1/4	6	1/2	3/8	9.70
ASXTR-1849-A()		1-1/4	2-1/8	4-1/4	4	4-1/2	6-1/4	1/2	3/8	10.00
ASXTR-1853-A()		1-1/2	2-1/8	4-1/2	4	4-3/4	6-1/2	1/2	3/8	10.90
ASXTR-2739-A()	1 - 14	1	2	4	4-1/4	4-1/4	6	1/2	3/8	14.15
ASXTR-2749-A()		1-1/4	2	4-1/4	4-1/4	4-1/2	6-1/4	1/2	3/8	10.70
ASXTR-2753-A()		1-1/2	2	4-1/2	4-1/4	4-3/4	6-1/2	1/2	3/8	11.30
ASXTR-3339-A()	1-1/8 - 12	1	2-1/8	4	4-3/8	4-1/4	6	1/2	1/2	8.15
ASXTR-3349-A()		1-1/4	2-1/8	4-1/4	4-3/8	4-1/2	6-1/4	1/2	1/2	9.45
ASXTR-3353-A()		1-1/2	2-1/8	4-1/2	4-3/8	4-3/4	6-1/2	1/2	1/2	10.70
ASXTR-3358-A()		2	2-1/8	4-3/4	4-3/8	5-1/8	6-3/4	1/2	1/2	11.75
ASXTR-3649-A()	1-1/4 - 12	1-1/4	2-1/8	4-1/4	4-1/2	4-1/2	6-1/4	1/2	1/2	9.70
ASXTR-3653-A()		1-1/2	2-1/8	4-1/2	4-1/2	4-3/4	6-1/2	1/2	1/2	10.00
ASXTR-3658-A()		2	2-1/8	4-3/4	4-1/2	4-1/8	6-3/4	1/2	1/2	11.55
ASXTR-3660-A()		2-1/2	2-1/8	4-3/4	4-1/2	5-3/8	9	1/2	1/2	20.40
ASXTR-4449-A()	1-1/2 - 12	1-1/4	2-1/8	4-1/4	4-5/8	4-1/2	6-1/4	1/2	1/2	10.40
ASXTR-4453-A()		1-1/2	2-1/8	4-1/2	4-5/8	4-3/4	6-1/2	1/2	1/2	10.85
ASXTR-4458-A()		2	2-1/8	4-3/4	4-5/8	5-1/8	6-3/4	1/2	1/2	12.35
ASXTR-4460-A()		2-1/2	2-1/8	4-3/4	4-5/8	5-3/8	9	1/2	1/2	17.95

ALUMINUM STUD CONNECTORS

TYPE ASXTR Continued

CATALOG NUMBER	STUD DIA./THD.	PIPE SIZE (NPS)	DIMENSIONS - INCHES							WEIGHT (POUNDS)
			A	B	C	D	E	J1	J2	
ASXTR-5053-A ()	1-3/4 - 12	1-1/2	2-3/8	4-1/2	5	4-3/4	6-1/2	1/2	1/2	13.20
ASXTR-5058-A ()		2	2-3/8	4-3/4	5	5-1/8	6-3/4	1/2	1/2	15.90
ASXTR-5060-A ()		2-1/2	2-3/8	4-3/4	5	5-3/8	9	1/2	1/2	23.05
ASXTR-5458-A ()	2 - 12	2	2-3/8	4-3/4	5	5-1/8	6-3/4	1/2	1/2	14.00
ASXTR-5460-A ()		2-1/2	2-3/8	4-3/4	5	5-3/8	9	1/2	1/2	21.70
ASXTR-5462-A ()		3	2-3/8	5-3/8	5	5-1/2	9-1/2	5/8	1/2	22.70
ASXTR-5463-A ()		3-1/2	2-3/8	5-5/8	5	5-1/2	10	5/8	1/2	27.10
ASXTR-5958-A ()	2-1/2 - 12	2	2-5/8	4-3/4	5-1/4	5-1/8	6-3/4	1/2	1/2	25.20
ASXTR-5960-A ()		2-1/2	2-5/8	5-3/4	5-1/4	5-3/8	9	1/2	1/2	25.80
ASXTR-5962-A ()		3	2-5/8	5-3/8	5-1/4	5-1/2	9-1/2	5/8	1/2	26.40
ASXTR-5963-A ()		3-1/2	2-5/8	5-5/8	5-1/4	5-1/2	10	5/8	1/2	27.40
ASXTR-6160-A ()	3 - 12	2-1/2	3-1/8	4-3/4	6-1/8	5-3/8	9	1/2	5/8	22.25
ASXTR-6162-A ()		3	3-1/8	5-3/8	6-1/8	5-1/2	9-1/2	5/8	5/8	30.65
ASXTR-6163-A ()		3-1/2	3-1/8	5-5/8	6-1/8	5-1/2	10	5/8	5/8	35.00
ASXTR-6262-A ()	3-1/2 - 12	3	3-1/8	5-3/8	6-1/4	5-1/2	9-1/2	5/8	5/8	36.80
ASXTR-6263-A ()		3-1/2	3-1/8	5-5/8	6-1/4	5-1/2	10	5/8	5/8	38.80
ASXTR-6264-A ()		4	3-1/8	5-3/4	6-1/4	5-1/2	10	5/8	5/8	40.70
ASXTR-6362-A ()	4 - 12	3	3-1/4	5-3/8	6-3/8	5-1/2	9-1/2	5/8	5/8	38.90
ASXTR-6363-A ()		3-1/2	3-1/4	5-5/8	6-3/8	5-1/2	10	5/8	5/8	40.60
ASXTR-6364-A ()		4	3-1/4	5-3/4	6-3/8	5-1/2	10	5/8	5/8	42.50

TYPE WSXTR

For welded connection to aluminum pipe instead of bolted, substitute WSXTR in the table above. Refer to factory for dimensions and weights.

TYPE ASFFT

Expansion Semi-Flexible
Stud to Pipe

Pipe Clamp: 356-T6 Aluminum
Pipe Hardware: Aluminum Alloy
Strap Hardware: Stainless Steel
Strap: Copper
Options: See page 174

A semi-flexible stud connector for threaded copper stud to aluminum pipe. Laminated copper strap allows some angular misalignment between pipe and stud. Copper strap is soldered to form a solid tinned pad at each end.
*Bronze contact nut SHN is available. Refer to page 171 for details.

