

ALUMINUM STUD CONNECTORS

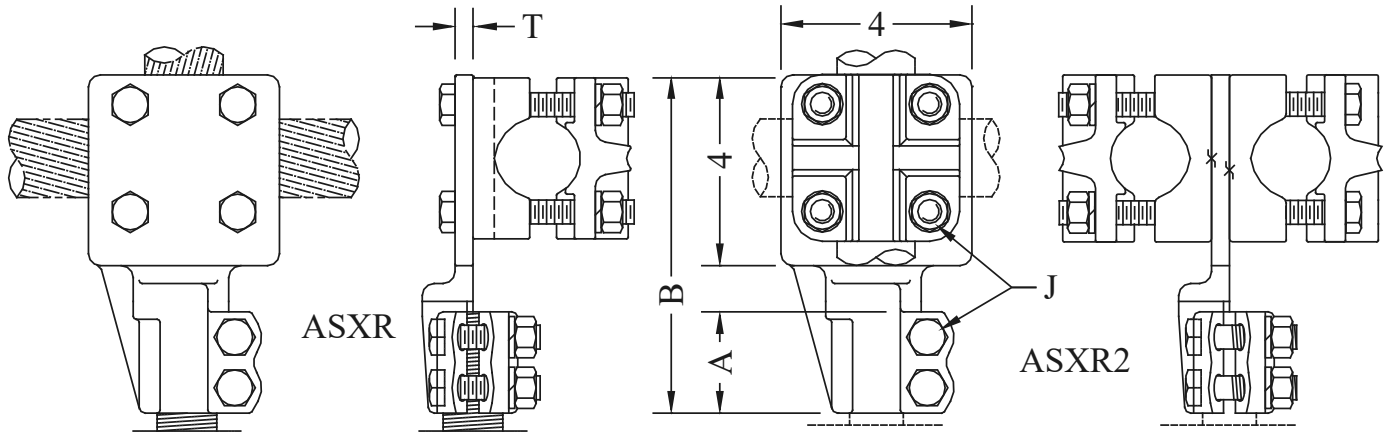
TYPE ASXR / ASXR2

Bolt-up Stud to
One or Two Cables

An alternative bolt-up type stud to one or two cables, with reversible caps for a wide range of cable, straight-on, or 90° to stud.

Bronze version also available see SXR/SXR2: PAGE 163

Casting: 356-T6 Aluminum
Hardware: Aluminum Alloy



CATALOG NUMBER	STUD DIA./THD.	CONDUCTOR RANGE	DIMENSIONS - INCHES				WEIGHT (POUNDS)
			A	B	J	T	
ASXR-3348	1-1/8 - 12	#2 - 2000 MCM	2-1/4	7-1/8	1/2	3/4	3.60
ASXR2-3348		(2) #2 - 2000 MCM					5.90
ASXR-3648	1-1/4 - 12	#2 - 2000 MCM	2-1/4	7-1/8	1/2	3/4	3.60
ASXR2-3648		(2) #2 - 2000 MCM					6.35
ASXR-4448	1-1/2 - 12	#2 - 2000 MCM	2-1/4	7-1/8	1/2	1/2	3.70
ASXR2-4448		(2) #2 - 2000 MCM					6.45
ASXR-5048	1-3/4 - 12	#2 - 2000 MCM	2-1/4	7-1/4	1/2	9/16	5.05
ASXR2-5048		(2) #2 - 2000 MCM					6.85
ASXR-5448	2 - 12	#2 - 2000 MCM	2-1/4	7-1/4	1/2	5/8	5.30
ASXR2-5448		(2) #2 - 2000 MCM					7.05
ASXR-5748	2-1/4 - 12	#2 - 2000 MCM	2-3/8	7-3/8	1/2	5/8	4.60
ASXR2-5748		(2) #2 - 2000 MCM					7.35
ASXR-5948	2-1/2 - 12	#2 - 2000 MCM	3-1/2	8-1/4	1/2	1	10.25
ASXR2-5948		(2) #2 - 2000 MCM					9.10
ASXR-6148	3 - 12	#2 - 2000 MCM	3-1/2	8-1/4	1/2	1	9.40
ASXR2-6148		(2) #2 - 2000 MCM					11.80
ASXR-6348	4 - 12	#2 - 2000 MCM	3-1/2	9	1/2	1	9.40
ASXR2-6348		(2) #2 - 2000 MCM					11.80