

ALUMINUM STUD CONNECTORS

TYPE ASTT

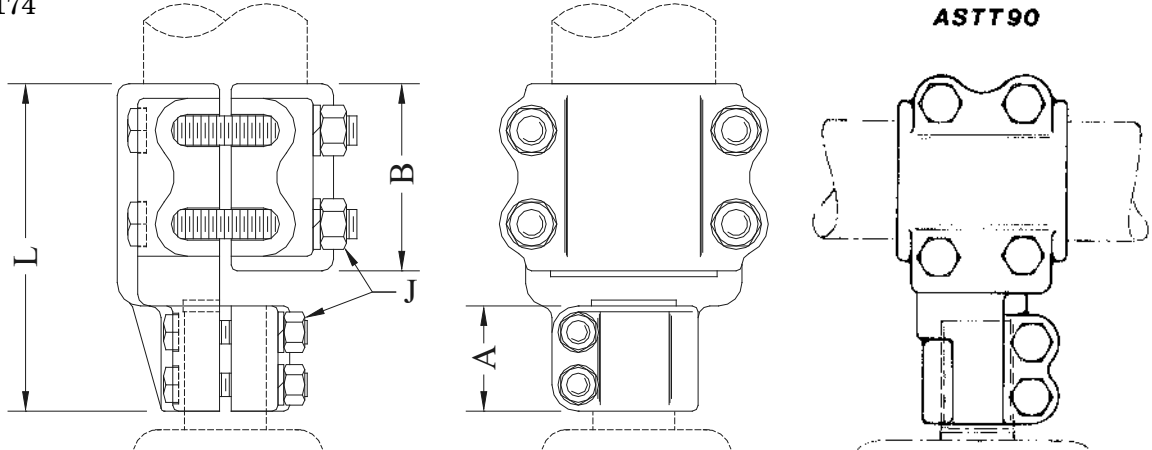
Stud to Pipe

All-aluminum stud connector for stud to standard aluminum pipe. For 90° connector, insert ASTT90 in place of ASTT in the table below.

Castings: 356-T6 Aluminum

Hardware: Aluminum Alloy

Options: See page 174



CATALOG NUMBER	STUD DIA./THD.	PIPE SIZE (NPS)	DIMENSIONS - INCHES				WEIGHT (POUNDS)
			A	B	L	J	
ASTT-1030	1/2 - 13	3/4	2	2-1/2	5-1/4	1/2	1.00
ASTT-1039		1	2-1/8	2-3/4	5-1/2	1/2	1.20
ASTT-1830	3/4 - 16	3/4	2	2-1/2	5-1/4	1/2	1.20
ASTT-1839		1	2-1/8	2-3/4	5-1/2	1/2	1.40
ASTT-2730	1 - 14	3/4	2	2-1/2	5-1/8	1/2	1.50
ASTT-2739		1	2-1/8	2-3/4	5-1/2	1/2	1.60
ASTT-2749		1-1/4	2	3	5-3/4	1/2	2.30
ASTT-3330	1-1/8 - 12	3/4	2	2-1/2	5-1/4	1/2	1.50
ASTT-3339		1	2-1/8	2-3/4	5-1/2	1/2	1.60
ASTT-3349		1-1/4	2	3	5-3/4	1/2	2.30
ASTT-3630	1-1/4 - 12	3/4	2	2-1/2	5-3/8	1/2	1.50
ASTT-3639		1	2	2-3/4	5-1/2	1/2	1.70
ASTT-3649		1-1/4	2	2-3/4	5-1/2	1/2	2.40
ASTT-3653		1-1/2	2	2-3/4	5-1/2	1/2	3.10
ASTT-3658		2	2	3-1/2	6-1/4	1/2	3.50
ASTT-4430	1-1/2 - 12	3/4	2	2-1/2	5-1/4	1/2	1.80
ASTT-4439		1	2	2-3/4	5-1/2	1/2	1.90
ASTT-4449		1-1/4	2	3	5-3/4	1/2	2.70
ASTT-4453		1-1/2	2	3-1/4	6	1/2	2.90
ASTT-4458		2	2	3-1/2	6-3/8	1/2	3.90
ASTT-4460		2-1/2	2	3-3/4	6-1/2	1/2	4.10
ASTT-4462		3	2-1/4	4	6-7/8	1/2	6.40

Continued on next page

ALUMINUM STUD CONNECTORS

TYPE ASTT Continued

CATALOG NUMBER	STUD DIA./THD.	PIPE SIZE (NPS)	DIMENSIONS - INCHES				WEIGHT (POUNDS)
			A	B	L	J	
ASTT-5039	1-3/4 - 12	1	2	2-3/4	5-1/2	1/2	2.00
ASTT-5049		1-1/4	2	3	5-3/4	1/2	2.70
ASTT-5053		1-1/2	2	3-1/4	6	1/2	3.00
ASTT-5058		2	2	3-1/2	7	1/2	3.90
ASTT-5062		3	2-1/4	4	7	1/2	6.40
ASTT-5449	2 - 12	1-1/4	2	3	6	1/2	2.70
ASTT-5453		1-1/2	2	3-1/4	6	1/2	3.40
ASTT-5458		2	2	3-1/2	6-3/8	1/2	4.80
ASTT-5460		2-1/2	2	3-3/4	6-5/8	1/2	6.00
ASTT-5462		3	2	4	7	1/2	6.30
ASTT-5749	2-1/4 - 12	1-1/4	2	3	5-3/4	1/2	2.80
ASTT-5753		1-1/2	2	3-1/4	6-1/4	1/2	3.60
ASTT-5758		2	2	3-1/2	6-1/4	1/2	4.70
ASTT-5760		2-1/2	2	3-3/4	6-1/2	1/2	5.60
ASTT-5953	2-1/2 - 12	1-1/2	2-1/2	3-1/4	6-5/8	1/2	4.50
ASTT-5958		2	2-3/8	3-1/2	6-3/4	1/2	5.40
ASTT-5960		2-1/2	2-3/8	3-3/4	7	1/2	6.20
ASTT-5962		3	2-3/8	4	7-1/4	1/2	7.00
ASTT-6158	3 - 12	2	2-3/8	3-1/2	6-3/4	1/2	5.90
ASTT-6160		2-1/2	2-7/8	3-3/4	7-5/8	1/2	6.80
ASTT-6162		3	2-7/8	4	7-7/8	5/8	7.70
ASTT-6163		3-1/2	2-3/8	4-1/4	7-1/2	5/8	8.50
ASTT-6164		4	2-7/8	4-1/4	8-1/8	5/8	8.20
ASTT-6167		5	2-7/8	5	8-7/8	5/8	10.80
ASTT-61560	3-1/4 - 12	2-1/2	2-3/8	3-3/4	7	5/8	7.20
ASTT-61562		3	2-3/8	4	7-1/4	5/8	8.50
ASTT-61563		3-1/2	2-3/8	4-1/4	7-1/2	5/8	9.00
ASTT-61564		4	2-7/8	4-1/4	8-1/4	5/8	9.90
ASTT-6260	3-1/2 - 12	2-1/2	2-3/8	3-3/4	7	5/8	7.70
ASTT-6262		3	3-1/8	4	8-1/8	5/8	8.50
ASTT-6263		3-1/2	2-3/8	4-1/4	7-1/2	5/8	9.60
ASTT-6264		4	2-3/8	4-1/4	7-1/2	5/8	10.20
ASTT-6360	4 - 12	2-1/2	2-3/8	3-3/4	7	5/8	8.70
ASTT-6362		3	2-3/8	4	7-1/4	5/8	9.80
ASTT-6363		3-1/2	2-3/8	4-1/4	7-1/2	5/8	10.60
ASTT-6364		4	3-3/4	4-1/4	9	5/8	12.00