

ALUMINUM BUS SUPPORTS

TYPE AVCA2

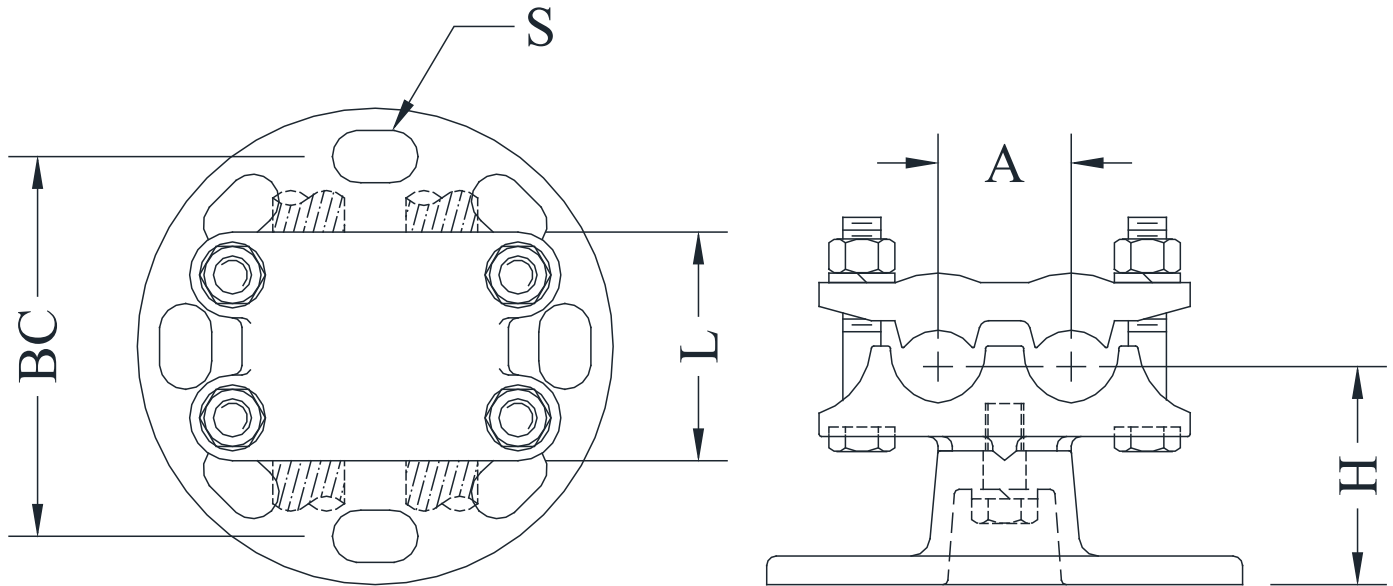
Horizontal Bolted
Two Cables to Insulator

Aluminum alloy bus support for two parallel aluminum cables.
Hex-stops provided for one wrench installation of clamping bolts.

Hardware supplied for CAP mounting. For PIN mounting, add suffix (P)
to catalog number.

Castings: 356-T6 Aluminum
Clamping Hardware: Aluminum Alloy
Mounting Hardware: Galvanized Steel

Example: AVCA2-24-3P



CATALOG NUMBER	CONDUCTOR RANGE		DIMENSIONS - INCHES					WEIGHT (POUNDS)
	AAC	ACSR	H	L	A	B.C.	S	
AVCA2-24-3	397.5-750 MCM	336.4-556 MCM	2-3/8	2-5/8	1-3/8	3	9/16 x 13/16	2.70
AVCA2-24-5			2-3/8	2-5/8	1-3/8	5	11/16 x 1	3.30
AVCA2-34-3	550-1000 MCM	477-795 MCM	2-3/4	3	1-3/4	3	9/16 x 13/16	3.15
AVCA2-34-5			3	3	1-3/4	5	11/16 x 1-1/16	4.00
AVCA2-39-3	874-1272 MCM	715.5-1113 MCM	3-1/8	3-3/4	1-11/16	3	9/16 x 13/16	3.70
AVCA2-39-5			3-1/8	3-3/4	1-11/16	5	11/16 x 1-1/16	4.55
AVCA2-43-3	1192-1590 MCM	1033-1431 MCM	3-1/4	4	2	3	9/16 x 13/16	4.20
AVCA2-43-5			3-1/2	4	2	5	11/16 x 1-1/16	5.10
AVCA2-51-3	1500-2500 MCM	1351-2156 MCM	3-5/8	4-1/2	2-1/4	3	9/16 x 13/16	5.90
AVCA2-51-5			3-5/8	4-1/2	2-1/4	5	11/16 x 1-1/16	6.85
AVCA2-1139-3	4/0-1300 MCM	4/0-1113 MCM	2-7/8	3-3/4	1-11/16	3	9/16 x 13/16	3.60
AVCA2-1139-5			2-7/8	3-3/4	1-11/16	5	11/16 x 1-1/16	4.45