

# ALUMINUM STUD CONNECTORS

## TYPE ASTR

Angle Connector  
Stud to Pipe

Pipe clamp: 356-T6 aluminum  
Stud clamp: Electrical bronze  
Stud hardware: Silicon bronze  
Pipe hardware: Aluminum alloy  
Pad hardware: Stainless steel  
Options: See page 174

A variable-angle stud connector for copper stud to aluminum pipe. Allows 0° - 90° field adjustment for stud sizes 1-1/2" NPS and below, as indicated by Fig. 1 in the table below. Sizes above this level are factory-set, and take-off angle must be specified at time of order. Transition between copper and aluminum is made at the spade connection, which is tin plated and coated with contact sealant.

The ASTR is also available for aluminum stud to aluminum pipe. Add Suffix -AL to catalog. Refer to factory for dimensions and weight.

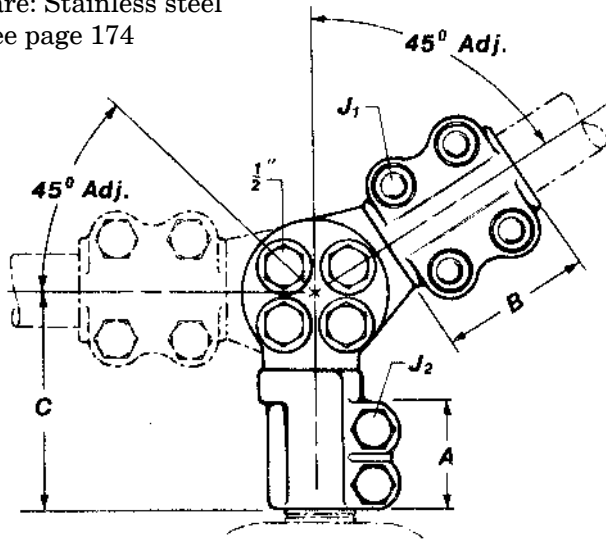


Fig. 1

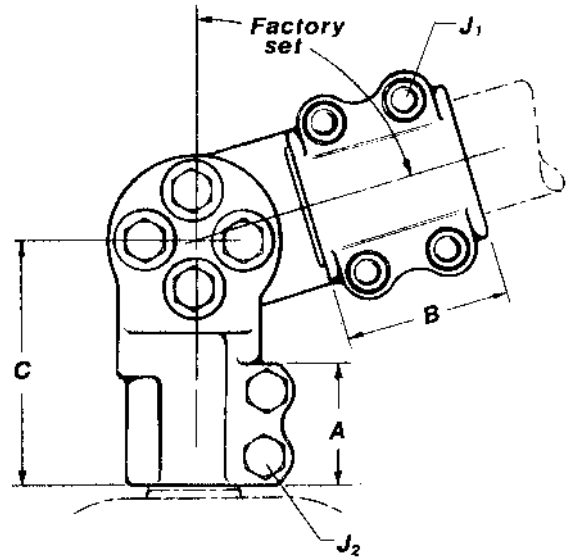


Fig. 2

CATALOG NUMBER	STUD DIA./THD.	FIG NO.	PIPE SIZE (NPS)	DIMENSIONS-INCHES					WEIGHT (POUNDS)
				A	B	C	J1	J2	
ASTR-1830	3/4 - 16	1	3/4	1-3/4	2-3/8	4	1/2	3/8	4.00
ASTR-1839		1	1		3		1/2		4.00
ASTR-2730	1 - 14	1	3/4	2	2-3/8	4-1/4	1/2	3/8	4.50
ASTR-2739		1	1		3		1/2		4.50
ASTR-2749		1	1-1/4		3		1/2		5.00
ASTR-2753		1	1-1/2		3-1/8		1/2		5.50
ASTR-3330	1-1/8 - 12	1	3/4	2-1/8	2-3/8	4-3/8	1/2	1/2	5.00
ASTR-3339		1	1		3		1/2		5.00
ASTR-3349		1	1-1/4		3		1/2		5.50
ASTR-3353		1	1-1/2		3-1/8		1/2		6.00
ASTR-3358		2	2		3-1/2		1/2		6.50
ASTR-3639	1-1/4 - 12	1	1	2-1/8	3	4-1/2	1/2	1/2	5.25
ASTR-3649		1	1-1/4		3		1/2		5.50
ASTR-3653		1	1-1/2		3-1/8		1/2		6.00
ASTR-3658		2	2		3-1/2		1/2		6.50
ASTR-3660		2	2-1/2		3-1/2		1/2		7.00

# ALUMINUM STUD CONNECTORS

## TYPE ASTR Continued

CATALOG NUMBER	STUD DIA./THD.	FIG NO.	PIPE SIZE (NPS)	DIMENSIONS-INCHES					WEIGHT (POUNDS)
				A	B	C	J1	J2	
ASTR-4449	1-1/2 - 12	1	1-1/4	2-1/8	3	4-5/8	1/2	1/2	6.25
ASTR-4453		1	1-1/2		3-1/8		1/2		6.75
ASTR-4458		2	2		3-1/2		1/2		7.25
ASTR-4460		2	2-1/2		3-1/2		1/2		7.75
ASTR-4462		2	3		4		5/8		10.00
ASTR-5053	1-3/4 - 12	2	1-1/2	2-3/8	3-1/8	5	1/2	1/2	8.50
ASTR-5058		2	2		3-1/2		1/2		9.00
ASTR-5060		2	2-1/2		3-1/2		1/2		9.50
ASTR-5062		2	3		4		5/8		10.75
ASTR-5453	2 - 12	2	1-1/2	2-3/8	3-1/8	5	1/2	1/2	10.00
ASTR-5458		2	2		3-1/2		1/2		10.50
ASTR-5460		2	2-1/2		3-1/2		1/2		11.00
ASTR-5462		2	3		4		5/8		13.25
ASTR-5758	2-1/4 - 12	2	2	2-5/8	3-1/2	5-1/4	1/2	1/2	11.50
ASTR-5760		2	2-1/2		3-1/2		1/2		12.00
ASTR-5762		2	3		3		5/8		14.25
ASTR-5958	2-1/2 - 12	2	2	2-5/8	3	5-1/4	1/2	1/2	13.75
ASTR-5960		2	2-1/2		3-1/2		1/2		14.25
ASTR-5962		2	3		4		5/8		16.50
ASTR-5963		2	3-1/2		4-3/8		5/8		17.50
ASTR-6160	3 - 12	2	2-1/2	3-1/8	3-1/2	6-1/8	1/2	5/8	17.25
ASTR-6162		2	3		4-3/8		5/8		19.50
ASTR-6163		2	3-1/2		4-3/8		5/8		20.50
ASTR-6164		2	4		4-1/2		5/8		22.00
ASTR-6262	3-1/2 - 12	2	3	3-1/8	4	6-1/4	5/8	5/8	21.50
ASTR-6263		2	3-1/2		4-3/8		5/8		22.50
ASTR-6264		2	4		4-1/2		5/8		24.00
ASTR-6362	4 - 12	2	3	3-1/4	4	6-3/8	5/8	5/8	25.00
ASTR-6363		2	3-1/2		4-3/8		5/8		26.00
ASTR-6364		2	4		4-1/2		5/8		27.50

## TYPE WSTR

For welded connection to aluminum pipe instead of bolted, substitute the WSTR in the table above. Refer to factory for dimensions and weights.