

EHV BUS COUPLERS

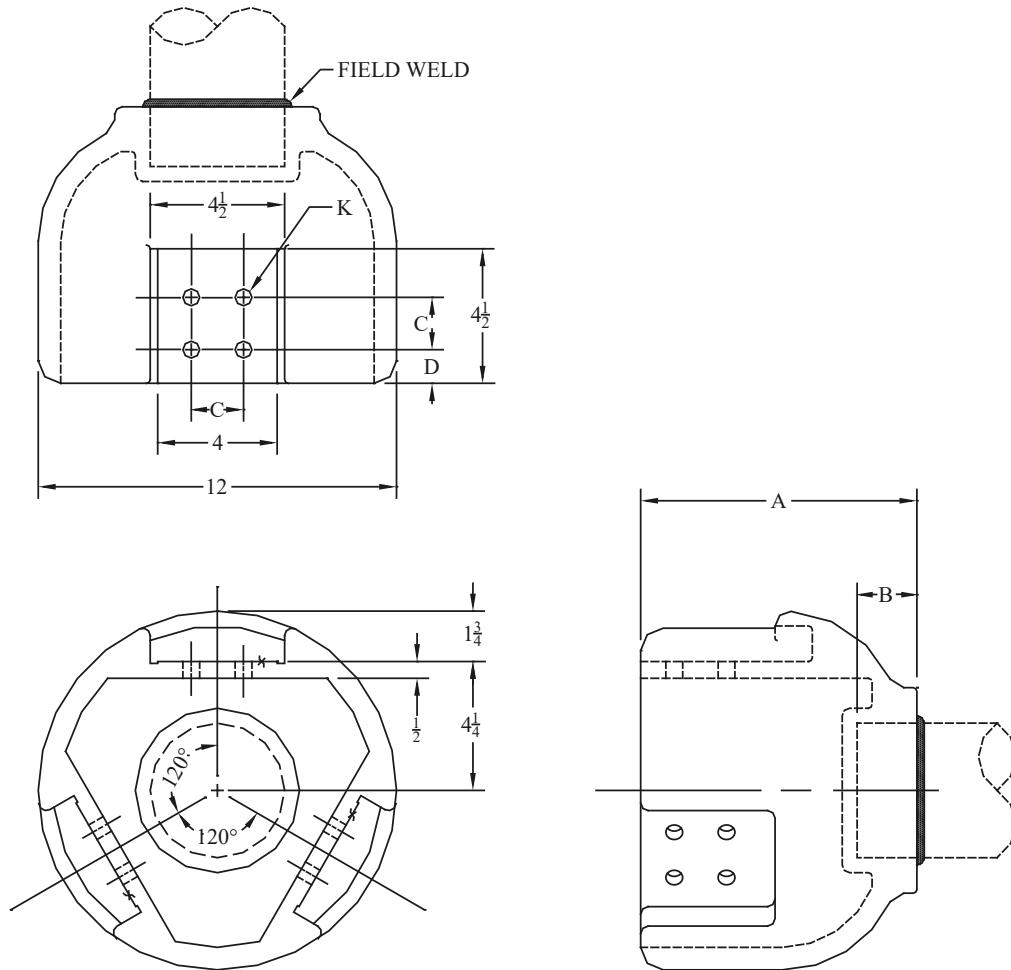
ALUMINUM • 345 - 500 KV

TYPE WSTC3

Weld Trifurcating - Pipe To Flat

Type WSTC3 is designed for corona-free service at 345 and 500 KV, when used with three (3) compression terminals to form a trifurcating pipe - cable connection. Hardware shields are not required when terminal mounting hardware is arranged so that nuts are inside the bell. Mounting hardware must be ordered separately.

Castings: 356-T6 Aluminum



CATALOG NUMBER	PIPE SIZE (NPS)	DIMENSIONS - INCHES				
		A	B	C	D	K
WSTC3-62-4B	3	9-1/4	2	1-3/4	1-1/8	9/16
WSTC3-63-4B	3-1/2	9-1/4	2	1-3/4	1-1/8	9/16
WSTC3-64-4B	4	9-1/4	2	1-3/4	1-1/8	9/16
WSTC3-67-4B	5	11-1/4	2	1-3/4	1-1/8	9/16
WSTC3-69-4B	6	9-3/8	2	1-3/4	1-1/8	9/16

SEFCOR