

EHV BUS COUPLERS

ALUMINUM • 345 - 500 KV

TYPE WSC

TYPE WSR

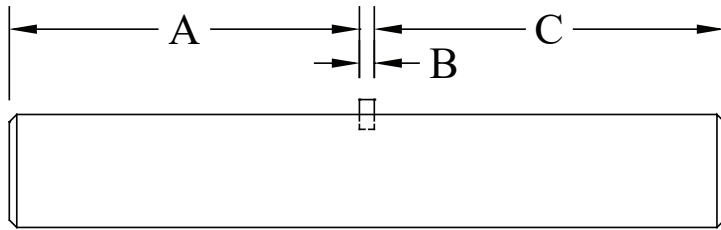
Weld Couplers - Reducers

Type WSC is fabricated from 6061-T6 aluminum, sized for close-tolerance fit inside the tubular bus.

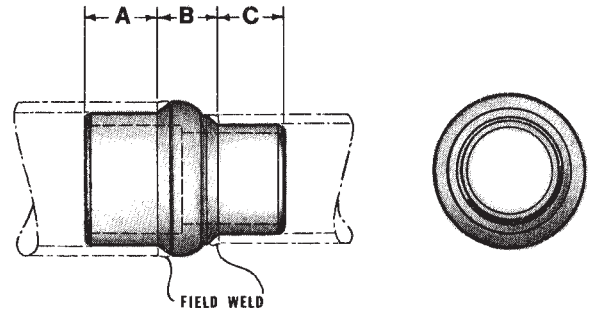
Type WSCR is casted 356-T6 aluminum.

Sizes listed are for N.P.S. (Sch. 40) aluminum bus. Where one or both members are E.H.P.S.. (Sch. 80) pipe, please specify when ordering.

Casting: 356-T6 Aluminum



TYPE WSC



Type WSR

CATALOG NUMBER	PIPE SIZE (NPS)		MAX. KV	DIMENSION - INCHES		
	MAIN	TAP		A	B	C
WSR-6058	2-1/2	2	345	2	1-1/8	1-3/4
WSC-6060	2-1/2	2-1/2		7-3/8	1/4	7-3/8
WSC-6060H	2-1/2 EHPS	2-1/2 EHPS		7-3/8	1/4	7-3/8
WSR-6258	3	2	345	2	1-1/4	1-3/4
WSC-6262	3	3	500	8-7/8	1/4	8-7/8
WSC-6262H	3 EHPS	3 EHPS	500	8-7/8	1/4	8-7/8
WSR-6360	3-1/2	2-1/2	345	2-1/2	1-1/2	2-1/2
WSR-6362	3-1/2	3	500	2-1/2	1-1/2	2-1/2
WSC-6363	3-1/2	3-1/2	500	10-3/8	1/4	10-3/8
WSC-6363H	3-1/2 EHPS	3-1/2 EHPS	500	10-3/8	1/4	10-3/8
WSR-6460	4	2-1/2	345	3	2	2-1/2
WSR-6462	4	3	500	3	2	3
WSC-6464	4	4	500	11-7/8	1/4	11-7/8
WSC-6464H	4 EHPS	4 EHPS	500	11-7/8	1/4	11-7/8
WSR-6762	5	3	500	3	2	3
WSR-6764	5	4		3	2	3
WSC-6767	5	5		11-7/8	1/4	11-7/8
WSC-6767H	5 EHPS	5 EHPS		11-7/8	1/4	11-7/8
WSR-6964	6	4	500	3	2	3
WSR-6967	6	5		3-1/2	2	3-1/2
WSC-6969	6	6		11-7/8	1/4	11-7/8
WSC-6969H	6 EHPS	6 EHPS		11-7/8	1/4	11-7/8