

EHV BUS COUPLERS

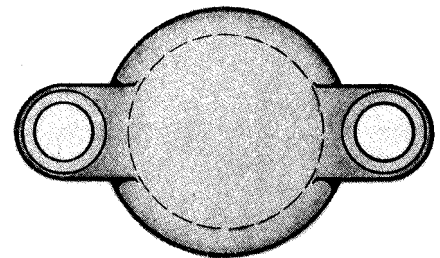
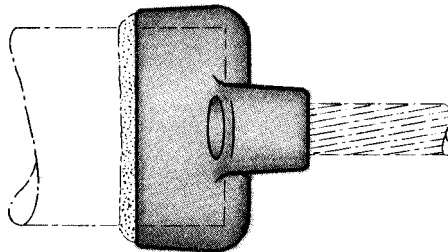
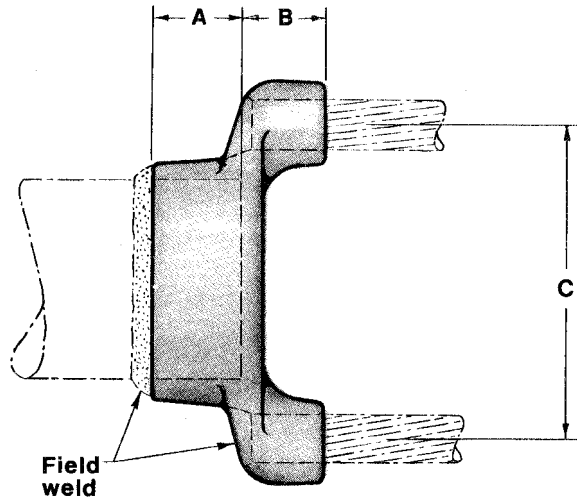
ALUMINUM • 345 - 500 KV

TYPE WETC2

Weld Bifurcating - Pipe To Cable

Castings: 356-T6 Aluminum

Type WETC2 is a one-piece weldment connector designed for 345 KV service. Not recommended for tension connection.



CATALOG NUMBER	PIPE SIZE (NPS)	CABLE SIZE	DIMENSIONS - INCHES		
		AAC	A	B	C
WETC2-6035	2-1/2	1000-1033 MCM	1-1/2	1-7/8	5-1/2
WETC2-6039		1250-1272 MCM	1-1/2	2	5-5/8
WETC2-6235	3	1000-1033 MCM	1-3/4	1-7/8	6-1/8
WETC2-6239		1250-1272 MCM	1-3/4	2	6-1/4
WETC2-6335	3-1/2	1000-1033 MCM	1-7/8	1-7/8	6-5/8
WETC2-6339		1250-1272 MCM	1-7/8	2	6-3/4
WETC2-6341		1351-1431 MCM	1-7/8	2-1/4	6-7/8
WETC2-6435	4	1000-1033 MCM	2-1/2	1-7/8	7-1/8
WETC2-6439		1250-1272 MCM	2-1/2	2	7-1/4
WETC2-6441		1351-1431 MCM	2-1/2	2-1/4	7-3/8
WETC2-6443		1500-1590 MCM	2	3-5/8	8
WETC2-6739	5	1250-1272 MCM	2-1/2	2	8-1/4
WETC2-6741		1351-1431 MCM	2-1/2	2-1/4	8-3/8
WETC2-6743		1500-1590 MCM	2-7/8	3-5/8	8

SEFCOR