

BRONZE STUD CONNECTORS

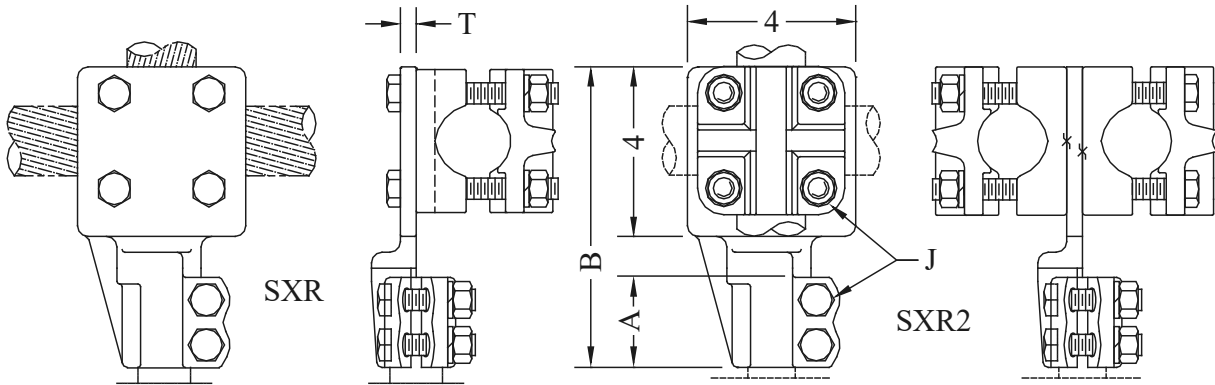
TYPE SXR / SXR2

Bolt-up Stud to
One or Two Cables

An alternative bolt-up type stud to one or two cables, with reversible caps for a wide range of cable, straight-on, or 90° to stud.

Aluminum version also available see ASXR/ASXR2: PAGE 177

Casting: Electrical Bronze
Hardware: Silicon Bronze



CATALOG NUMBER	STUD DIA./THD.	CONDUCTOR RANGE	DIMENSIONS - INCHES				WEIGHT (POUNDS)
			A	B	J	T	
SXR-3348	1-1/8 - 12	#2 - 2000 MCM	2-1/8	7	1/2	3/8	10.80
SXR2-3348		(2) #2 - 2000 MCM					16.35
SXR-3648	1-1/4 - 12	#2 - 2000 MCM	2-1/8	7-1/8	1/2	3/8	11.50
SXR2-3648		(2) #2 - 2000 MCM					15.50
SXR-4448	1-1/2 - 12	#2 - 2000 MCM	2-1/8	7-1/8	1/2	1/2	12.05
SXR2-4448		(2) #2 - 2000 MCM					17.55
SXR-5048	1-3/4 - 12	#2 - 2000 MCM	2-3/8	7-5/16	1/2	1/2	14.00
SXR2-5048		(2) #2 - 2000 MCM					19.60
SXR-5448	2 - 12	#2 - 2000 MCM	2-7/16	7-9/16	1/2	1/2	14.10
SXR2-5448		(2) #2 - 2000 MCM					19.60
SXR-5748	2-1/4 - 12	#2 - 2000 MCM	2-1/2	7-5/8	1/2	1/2	10.60
SXR2-5748		(2) #2 - 2000 MCM					13.10
SXR-5948	2-1/2 - 12	#2 - 2000 MCM	2-1/2	7-1/2	1/2	3/4	17.20
SXR2-5948		(2) #2 - 2000 MCM					13.20
SXR-6148	3 - 12	#2 - 2000 MCM	3-1/8	8-3/8	1/2	3/4	21.65
SXR2-6148		(2) #2 - 2000 MCM					27.30
SXR-6348	4 - 12	#2 - 2000 MCM	3-1/2	8-3/4	1/2	1	33.30
SXR2-6348		(2) #2 - 2000 MCM					21.90