

# BRONZE STUD CONNECTORS

## TYPE SFFT90 Continued

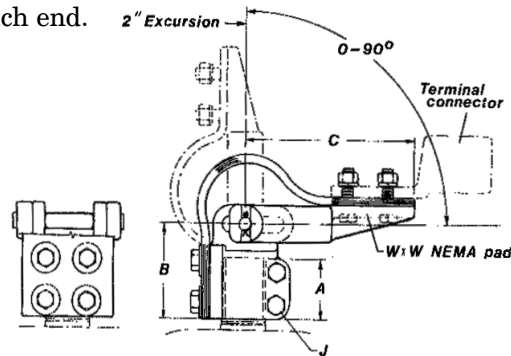
CATALOG NUMBER	STUD DIA./THD.	PIPE SIZE (NPS)	DIMENSIONS - INCHES					WEIGHT (POUNDS)
			A	B	C	T	H	
SFFT90-3630	1-1/4 - 12	3/4	2-3/4	6	12-1/2	3/16	0	10.50
SFFT90-3639		1	2-3/4	6	12-3/4	7/32	0	11.35
SFFT90-3649		1-1/4	2-3/4	6-1/2	13-5/8	3/8	0	12.75
SFFT90-3653		1-1/2	2-13/16	7	13-3/4	3/8	0	14.25
SFFT90-3658		2	2-3/4	7	14	1/2	0	15.15
SFFT90-4430	1-1/2 - 12	3/4	2	6-7/16	11-13/16	1/8	1	7.25
SFFT90-4439		1	2	6-1/2	11-1/2	7/32	1-1/4	7.75
SFFT90-4449		1-1/4	2-3/4	7	13-1/4	3/8	1-5/8	12.70
SFFT90-4453		1-1/2	2-3/4	7	13-1/2	3/8	0	16.95
SFFT90-4458		2	2-3/4	7	13-5/8	3/8	0	14.25
SFFT90-4460		2-1/2	2-3/4	7	13-5/8	1/2	0	16.35
SFFT90-4462		3	2-3/4	7	13-3/4	1/2	0	18.25
SFFT90-5449	2 - 12	1-1/4	3	6-5/8	7-3/16	3/8	0	21.15
SFFT90-5453		1-1/2	2-13/16	6-5/8	17-3/8	3/8	0	19.25
SFFT90-5458		2	3	6-3/4	16-1/2	1/2	0	23.35
SFFT90-5460		2-1/2	3-1/4	6-3/4	16-1/2	1/2	0	25.65
SFFT90-5462		3	3-1/4	7	16-7/16	5/8	3-1/8	28.65

## TYPE SNX

Expansion -  
Stud to Flat

Castings: Electrical Bronze  
Hardware: Silicon Bronze  
Roller: Stainless Steel  
Options: See page 154

All-bronze roller-type flexible stud connector for take-off angles 0° - 90°. This design will support weight of tubular bus while allowing horizontal movement. May be used with bronze or aluminum terminal connector. Laminated copper strap is soldered to form a solid tinned pad at each end.



CATALOG NUMBER	STUD DIA./THD.	DIMENSIONS - INCHES					WEIGHT (POUNDS)
		A	B	C	J	W x W	
SNX-27-4A	1 - 14	2-1/8	3-7/8	6-5/8	1/2	3 x 3	16.45
SNX-33-4A	1-1/8 - 12	2-1/8	3-7/8	6-5/8	1/2	3 x 3	16.70
SNX-36-4A	1-1/4 - 12	2-1/8	3-7/8	6-1/2	1/2	3 x 3	17.20
SNX-44-4A	1-1/2 - 12	2-1/8	3-7/8	6-1/2	1/2	3 x 3	17.75
SNX-50-4B	1-3/4 - 12	2-1/2	3-7/8	7-1/4	1/2	4 x 4	26.10
SNX-54-4B	2 - 12	2-1/2	3-7/8	7-1/4	1/2	4 x 4	26.10
SNX-57-4B	2-1/4 - 12	2-1/2	3-7/8	7-1/4	1/2	4 x 4	27.00
SNX-59-4B	2-1/2 - 12	2-1/2	3-7/8	7-1/4	1/2	4 x 4	36.15
SNX-61-4B	3 - 12	3	4-1/2	7-1/4	5/8	4 x 4	36.15