

ALUMINUM BUS SUPPORTS

TYPE ASWH

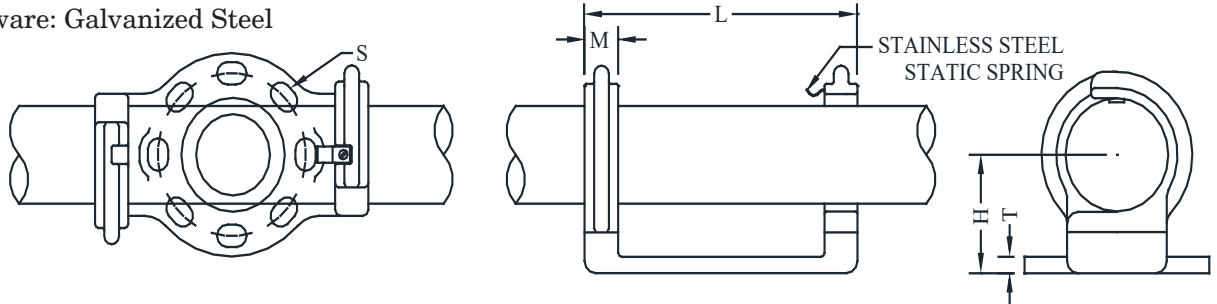
Horizontal Weldment
Pipe to Insulator

Aluminum alloy weldment bus support for aluminum pipe.
Designed for slip or rigid fit applications.
When rigid fit is required, you must weld the hooks to the pipe.
Delete the -SE suffix to eliminate the static spring.
Hardware supplied for cap mounted.

For pin mounted, add suffix (P) to catalog number, Example: ASWH-58-5P

Castings: 356-T6 Aluminum

Mounting Hardware: Galvanized Steel



CATALOG NUMBER	PIPE SIZE (NPS)	B.C.	DIMENSIONS - INCHES					WEIGHT (POUNDS)
			H	L	T	M	S	
ASWH-30-3-SE	3/4	3	2	5-1/2	9/32	1/2	9/16 x 3/4	1.15
ASWH-30-5-SE		5	2-1/4	8	3/8	5/8	11/16 x 1	2.00
ASWH-39-3-SE	1	3	2	6	5/16	3/4	9/16 x 13/16	1.15
ASWH-39-5-SE		5	2-1/4	8-1/4	3/8	3/4	11/16 x 1	2.25
ASWH-49-3-SE	1-1/4	3	2-1/4	7-1/4	1/2	1-1/8	9/16 x 13/16	2.95
ASWH-49-5-SE		5	2-1/4	9-1/4	9/16	1-1/8	11/16 x 15/16	3.45
ASWH-53-3-SE	1-1/2	3	2-1/2	7-1/4	9/16	1-1/8	9/16 x 13/16	2.80
ASWH-53-5-SE		5	2-1/2	9-1/4	9/16	1-1/8	11/16 x 15/16	3.70
ASWH-58-3-SE	2	3	2-3/4	7-1/4	9/16	1-1/8	9/16 x 13/16	2.95
ASWH-58-5-SE		5	2-3/4	9-1/4	9/16	1-1/8	11/16 x 15/16	3.80
ASWH-60-3-SE	2-1/2	3	3-1/8	7-1/4	9/16	1-1/8	9/16 x 13/16	3.45
ASWH-60-5-SE		5	3-1/8	9-1/4	9/16	1-1/8	11/16 x 15/16	4.25
ASWH-60-7-SE		7	3-1/8	12-1/2	1/2	1-1/8	13/16 x 1-1/8	6.50
ASWH-62-3-SE	3	3	3-5/8	7-1/4	9/16	1-1/8	9/16 x 13/16	3.95
ASWH-62-5-SE		5	3-5/8	9-1/4	1/2	1-1/8	11/16 x 15/16	4.75
ASWH-62-7-SE		7	3-5/8	12-1/2	1/2	1-1/4	13/16 x 1-1/8	7.00
ASWH-63-3-SE	3-1/2	3	4	7-1/4	1/2	1-1/8	9/16 x 13/16	3.95
ASWH-63-5-SE		5	4	9-1/4	3/8	1-1/8	11/16 x 15/16	4.77
ASWH-63-7-SE		7	4	12-1/2	1/2	1-3/16	13/16 x 1-1/8	6.99
ASWH-64-3-SE	4	3	4-1/2	7-1/4	9/16	1-1/8	9/16 x 13/16	3.95
ASWH-64-5-SE		5	4-1/2	9-1/4	9/16	1-1/8	11/16 x 15/16	4.75
ASWH-64-7-SE		7	4-1/2	12-1/2	1/2	1-1/8	13/16 x 1-1/8	7.00
ASWH-67-3-SE	5	3	5	7-5/8	1/2	1-1/2	9/16 x 13/16	5.95
ASWH-67-5-SE		5	5	9-5/8	1/2	1-1/2	11/16 x 15/16	6.80
ASWH-67-7-SE		7	5	11-1/2	1/2	1-3/8	13/16 x 1-5/16	9.60
ASWH-69-3-SE	6	3	5-1/2	7-5/8	1/2	1-1/2	9/16 x 3/4	5.95
ASWH-69-5-SE		5	5-1/2	9-5/8	1/2	1-1/2	11/16 x 15/16	6.80
ASWH-69-7-SE		7	5-1/2	12-7/8	1/2	1-1/2	13/16 x 1-1/8	9.00